

SERVICE BULLETIN No

96-3

PRODUCTION CHANGE

DATE: 12/15/88

SUBJECT: HEATER FAN MOTORS

VEHICLES: 328 AND TURBO

Starting from:	Model	328	Turbo				
	Area						
	Chassis no.	76076	76085				
	Engine no.						
	Gearbox no.						

Description:

New type heater fan motors complete with filters have been introduced.

Reason:

Production change.

REPLACED PARTS			NEW PARTS		
ref. fig.	Part Number	Description	ref. fig.	Part Number	Description

Spare parts procedures: The new heater fan motors are not interchangeable with the previous type. The part numbers for the new parts can be found on the attached drawing.

Reference spare parts catalogue:



SOLUZIONE PREMODIFICA

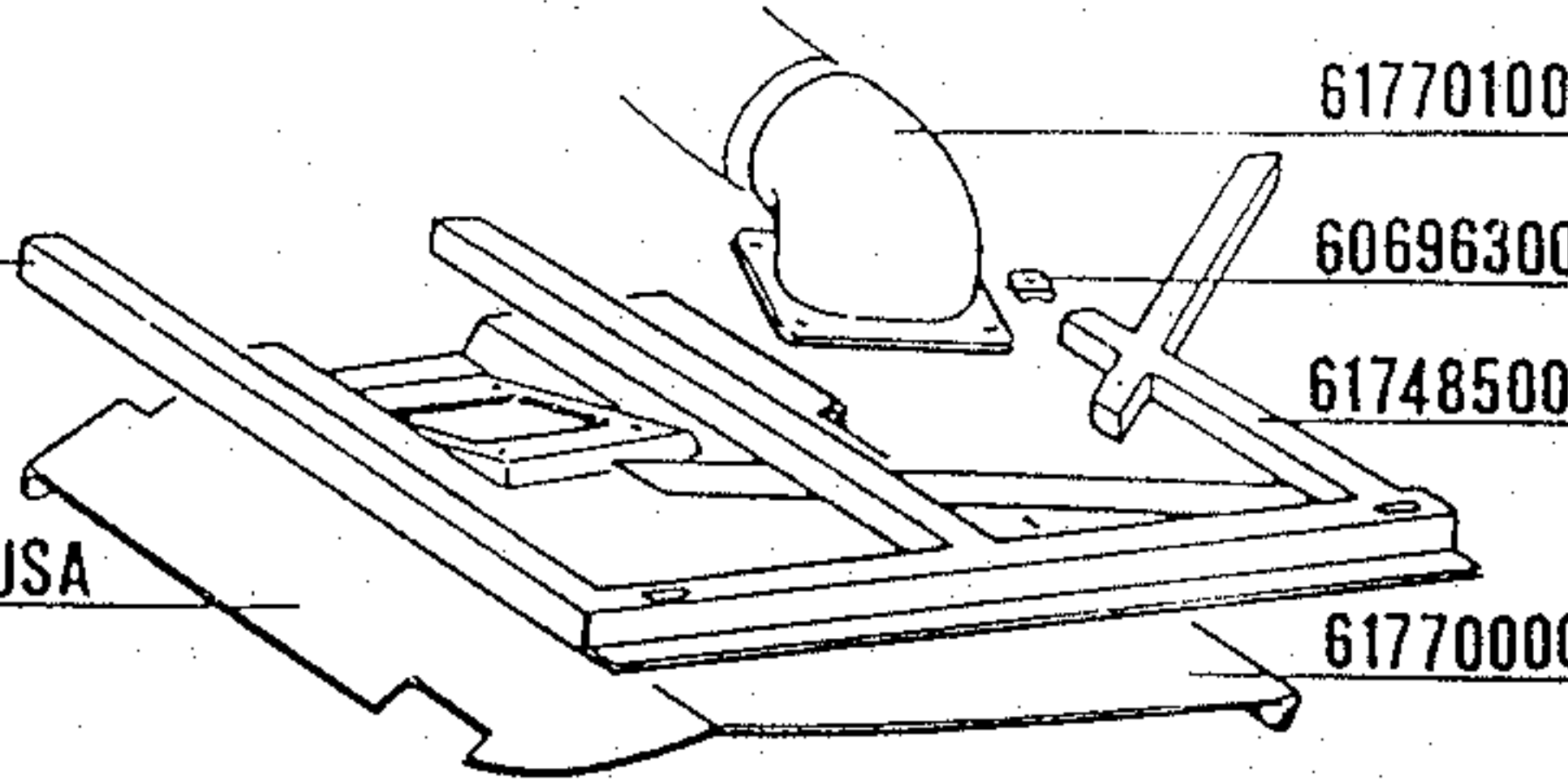
PREVIOUS TYPE

SOLUTION AVANT MODIFICATION

BAULÖSUNG VOR DER VARIANTE

61743500 USA
61903300 TURBO

61884100-61869800 USA



61770100

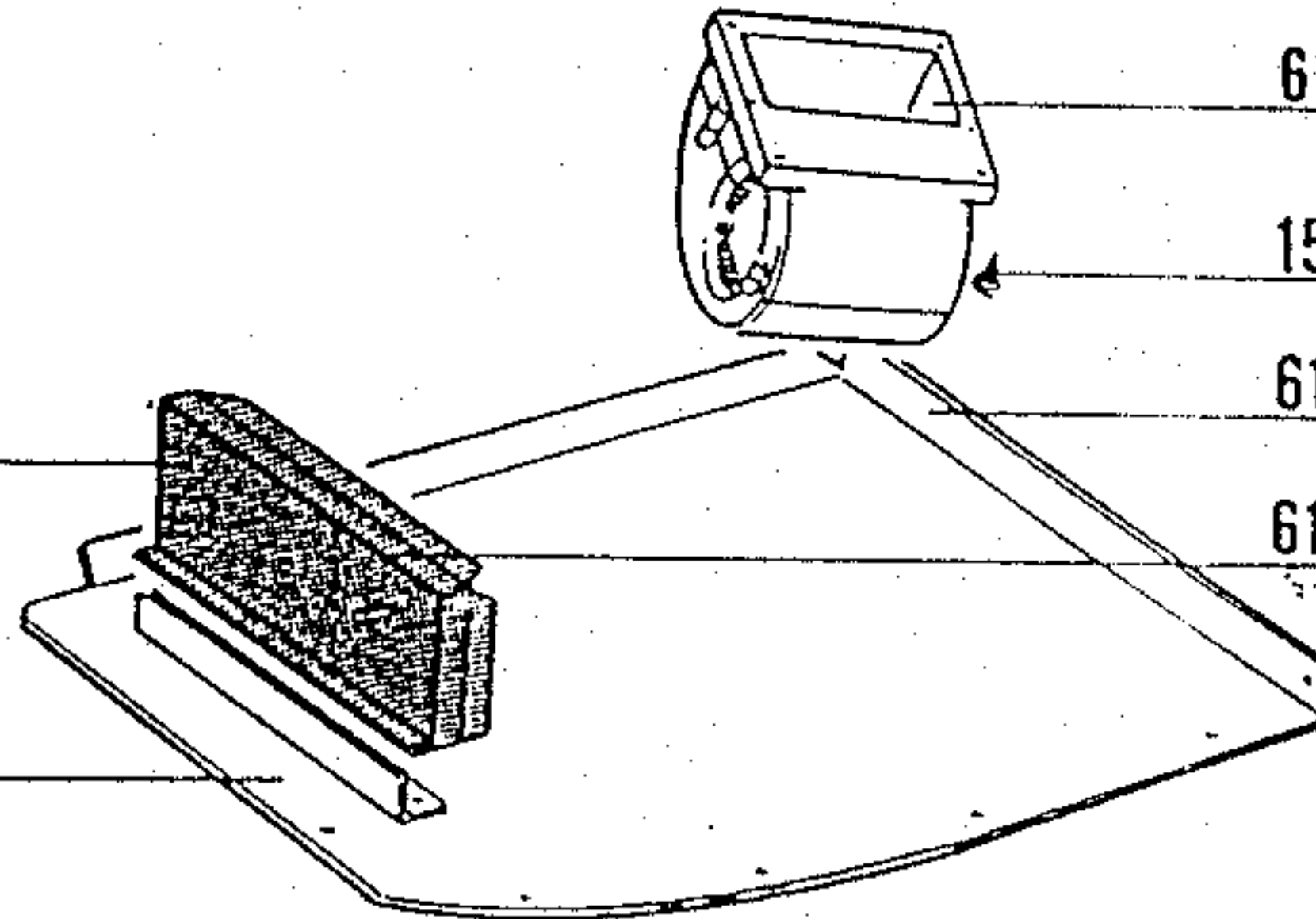
60696300

61748500 no per USA e TURBO

61770000 no per USA

61945900 USA

61947300 USA



61990000

15644101

61947300 no per USA

61947700 no per USA

NUOVA SOLUZIONE

NEW TYPE

NOUVELLE SOLUTION

NEUE LÖSUNG

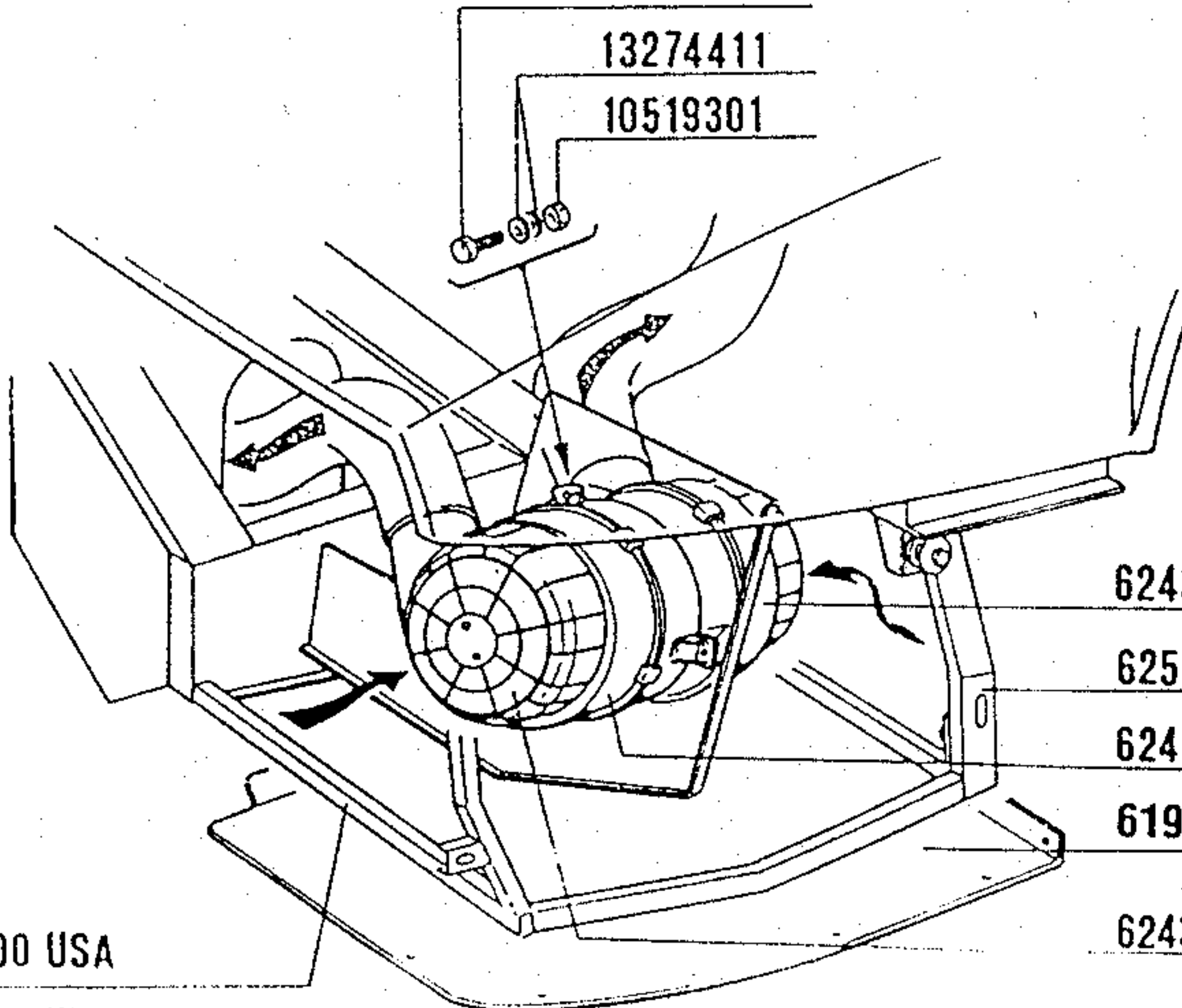
12574121

13274411

10519301

62507800 USA

62440500 TURBO



62438800

62518000 no per USA e TURBO

62438700

61947300

62438900

