

SERVICE BULLETIN No

90-10

**PRODUCTION CHANGE**

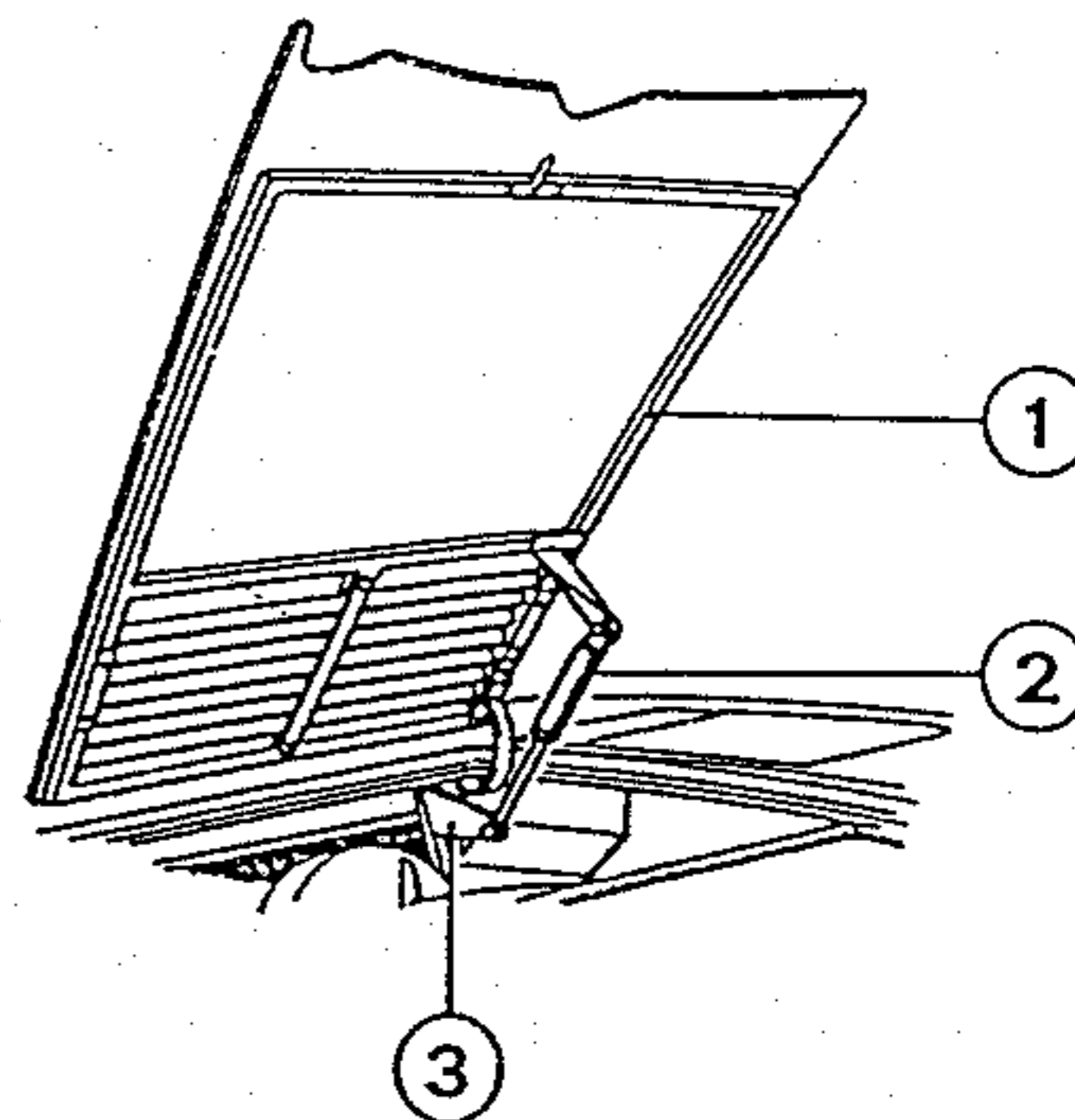
DATE: 6/15/88

SUBJECT: FRONT BONNET  
VEHICLES: 328 & TURBO

Starting from:	Model	328	Turbo			
	Area	All	Italy			
	Chassis no.	75592	75593			
	Engine no.					
	Gearbox no.					

**Description:**

A new bonnet is assembled having a new support located on the right hand side instead of the previous left hand side.



REPLACED PARTS			NEW PARTS		
ref. fig.	Part Number	Description	ref. fig.	Part Number	Description
1	61751500	Front Bonnet	1	62486200	Front Bonnet
2	60118107	Shock Absorber	2	62380500	Shock Absorber
3	61748600	Bracket	3	62484300	Bracket

**Spare parts procedures:**

The new parts are not interchangeable, singularly with pre - modified parts.

**Reference spare parts catalogue:**

328 Cat. No. 462/87 Tav. 112      Turbo GTB / GTS Cat. No. 432/87 Tav. 105

