

## Service Bulletin

**SB** 84-1  
11-29-79



SUBJECT: AIR CONDITIONING SYSTEM  
VEHICLES: 308 GT4 AND 208 GT4 MODELS  
SERIAL NO.: MODEL UP TO CHASSIS NO.  
308 GT4 12180  
208 GT4 12826

REISSUE OF TECHNICAL BULLETIN NO. 307, DATED 9/7/77

### MODIFICATION:

To improve the distribution of air conditioning in the passenger compartment, a modification kit, containing a larger air duct hose, has been made available. This modification follows the one shown in Technical Bulletin No. 265/11.

### KIT

#### INSTALLATION:

See attached instructions.

### PARTS

#### INFORMATION:

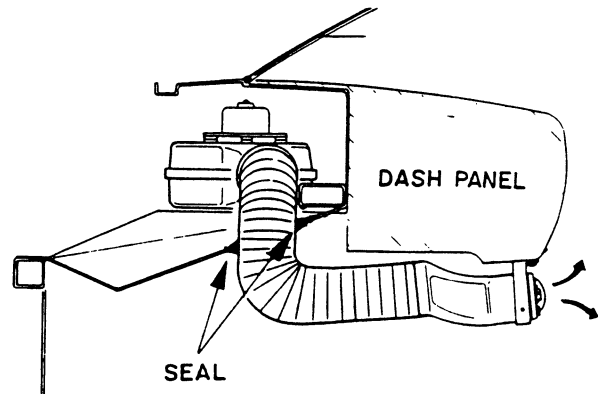
The part number for the new modification kit is 40403107. Each kit contains:

#### Illustration

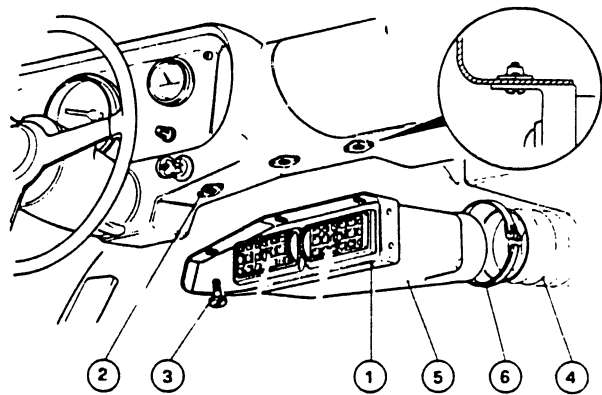
<u>No.</u>	<u>Description</u>	<u>Part No.</u>	<u>Qty.</u>
1	Grille Assembly	40401309	1
2	Securing Plate	20037008	3
3	Screw	30214001	3
4	Pipe	40401400	1
5	Air Duct Hose	40400905	1
6	Clip	103000190	2
-	Air Diffuser (Right)	40402901	1
-	Air Diffuser (Left)	40403008	1
-	Dashboard Duct Plug	40140105	1

Installation Instructions - A/C Kit No. 40403107

- Remove existing air conditioning duct connecting the blower motor to the dashboard air vents.
- Cut a hole (80mm - 3.1496" diameter) in the bulkhead fiberglass panel, as shown in illustration.



- Using grille assembly (1) as a template, make the dashboard for the installation of the three securing plates (2).
- Install securing plates (2) to dashboard with pop rivets.
- Install new grille assembly (1) to dashboard using screws (3).



- Install new air duct hose (4) to blower motor through bulkhead panel to new air duct (5). Secure the hose with retaining clamps (6)

NOTE: Make sure the hole in the bulkhead is completely sealed.

- Close the central air duct under the dashboard with rubber plug, Part No. 40140105.

