

SERVICE BULLETIN No **80-37**DATE: 2/13/89**SUBJECT: Door Locking System****VEHICLES: 412 - EUROPEAN MODEL - This Service Bulletin is issued for Informational Purposes Only.****IT IS NOT APPLICABLE TO U.S. MODELS.**

To Overcome any complaint from owners of Model 412 about the door locking system, it is possible to modify the system utilizing the following parts:

NO.	PART NO.	QTY.	DESCRIPTION
1	62437700(*)	2	ACTUATOR
2	61973500(**)	1	ROD-RIGHT
3	61973600(**)	1	ROD-LEFT
4	139674	1	ACTUATOR CONN. CABLE - RIGHT DOOR
5	135369	1	ACTUATOR CONN. CABLE - LEFT DOOR
6	135289	8	FEMALE TERMINALS

(*) Actually fitted on 328 - TURBO - 3.2 Mondial

(**) Actually fitted on 328 & TURBO

NOTE: Items 4,5,& 6 are ONLY supplied as spares with kit P.N.140093.

To carry out the modification proceed in the following manner:

Drivers Door - Page 2

Passengers Door - Page 3

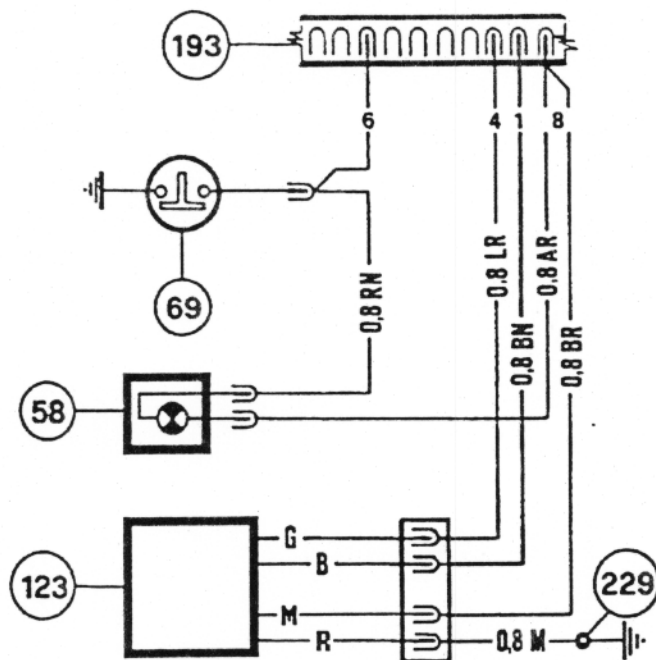


DRIVERS DOOR:

- 1) Remove the electrical door locking device and replace it with actuator P.N. 62437700.
- 2) Disconnect the cable connector on the existing locking device and cut the cables close to the connector block.
- 3) Crimp a female terminal P.N. 135289 to each of the cable ends.
- 4) Connect the cables to the terminal block 135369 following the sequence shown on the electrical circuit diagram in figure 1.
- 5) Replace the connecting rod from the lock to the actuator with the one under P.N. 61973500.

NOTE: The above operations are also applicable to R.H.D. vehicles.

FIGURE 1



- 58 - Open-door marker light (12V-4W)
- 69 - Door jamb switch for interior lights and open door marker lights
- 123 - Door locking actuator
- 193 - L.H. door connector
- 229 - Drivers door ground

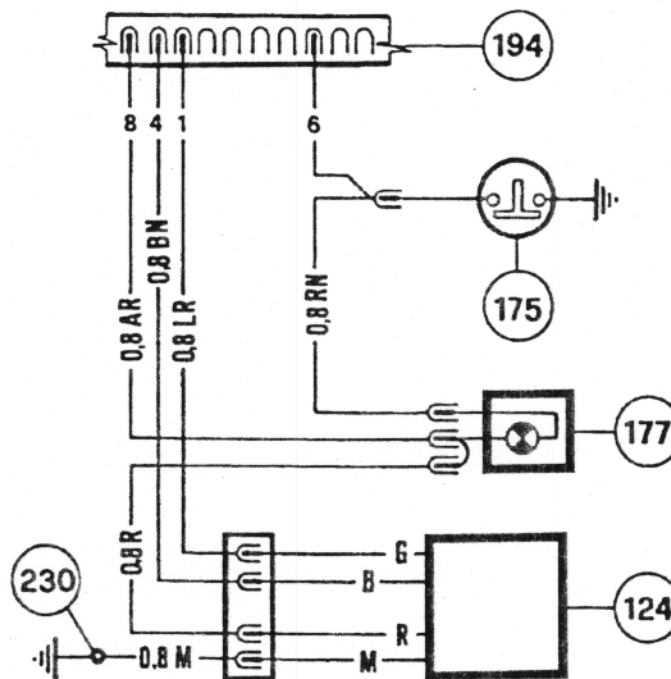


PASSENGER DOOR:

- 1) Remove the electrical door locking device and replace it with actuator P.N. **62437700**.
- 2) Disconnect the cable connector on the existing locking device and cut the cables close to the connector block.
- 3) Crimp a female terminal P.N. **135289** to each of the cable ends.
- 4) Connect cable harness **139674** following the circuit diagram in **figure 2**.
- 5) Insert cables **0.8 BN** and **0.8 LR** (point 3) into the terminal block of the cable harness **139674** following the sequence shown in the circuit diagram in **figure 2**.
- 6) Replace the connecting rod from the lock to the actuator with the one under P.N. **61973600**.

NOTE: The above operations are also applicable to R.H.D. vehicles.

FIGURE 2



- 124 - Electric actuator for external door locking
- 175 - R.H. door pillar for internal lights and open door lights
- 177 - R.H. open door marker light (12V-4W)
- 194 - R.H. door connector
- 230 - Passengers door ground

