

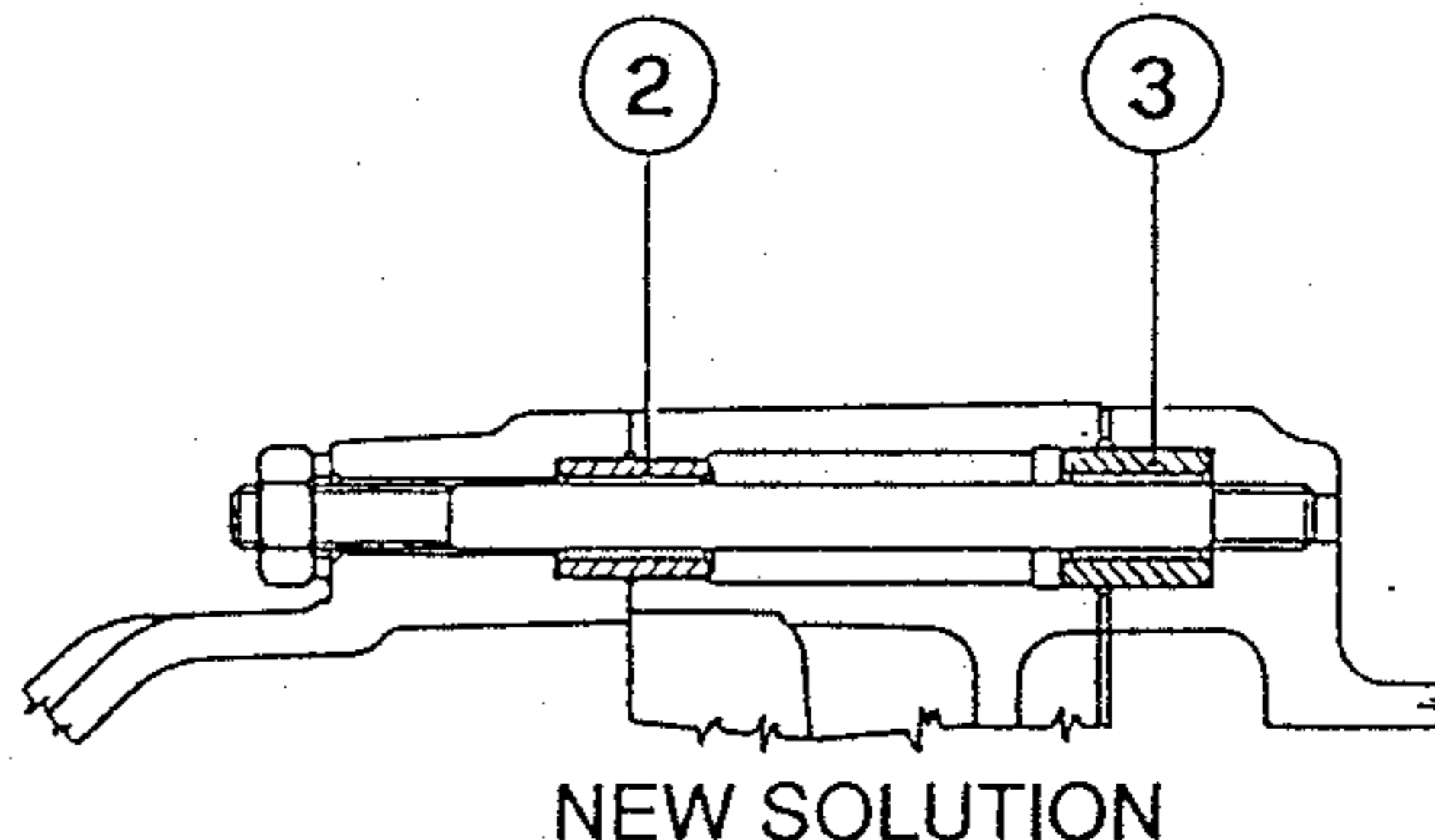
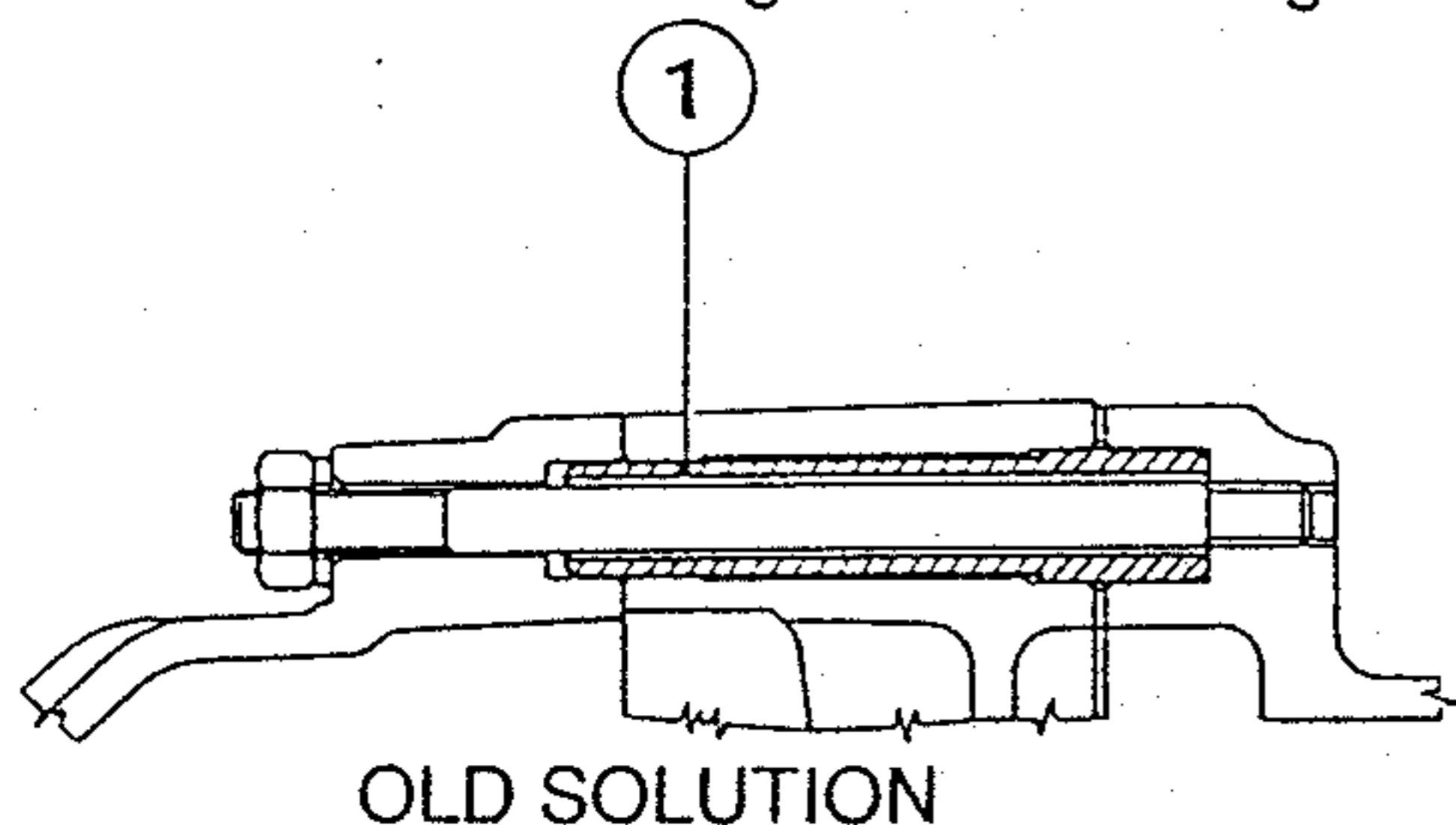
PRODUCTION CHANGE

DATE: 6/15/88

SUBJECT: CENTERING DOWEL ON TRANSMISSION INTERMEDIATE HOUSINGS
VEHICLES: 8 CYLINDER

Starting from:	Model	3.2 - 328	3.2 - 328	3.2 - 328			
	Area	Europe	USA	Italy			
	Chassis no.	72125	72509	72291			
	Engine no.	2633	1496	413			
	Gearbox no.						

Description: The intermediate casting is installed by means of 2 centering dowels instead of one on the gearbox housing and the crankcase.



REPLACED PARTS			NEW PARTS		
ref. fig.	Part Number	Description	ref. fig.	Part Number	Description
1	104033	Dowel	2	102692	Centering dowel
			3	134480	Trans. intermediate housing

Spare parts procedures:

The two solutions are interchangeable between themselves.

Reference spare parts catalogue: 328 No. 462/87 Tav. 25 - Turbo GTB/GTS No. 432/87 Tav. 21 - 3.2 Mondial, the modification is already reported in the Parts Catalogue No. 473/87

