

SERVICE BULLETIN No 30-10

PRODUCTION CHANGE

DATE: 10/5/88

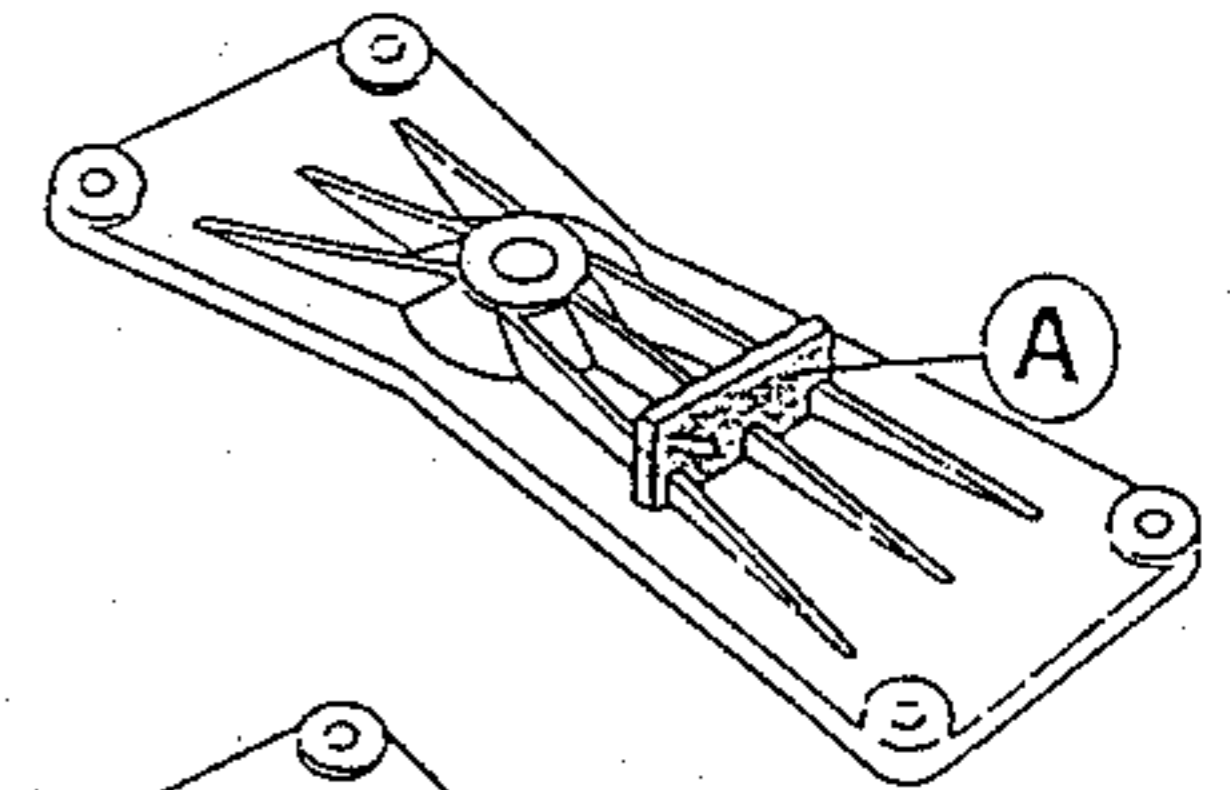
**SUBJECT: GEAR SHIFT ROCKER ARM SUPPORT
VEHICLES: EIGHT - CYLINDER VEHICLES**

Starting from:	Model	328	328	8 Cyl.	Mondial	Turbo	
	Area	Exc. USA + CH	CH	USA	Exc. USA + CH	Italy	
	Chassis no.	77135	77035	77066	77106	77047	
	Engine no.						
	Gearbox no.	2891	276	2339	860	700	

Description:

The gear shift rocker arm support (P.N. 114864) has been modified with the addition of a shoulder (A) as shown.

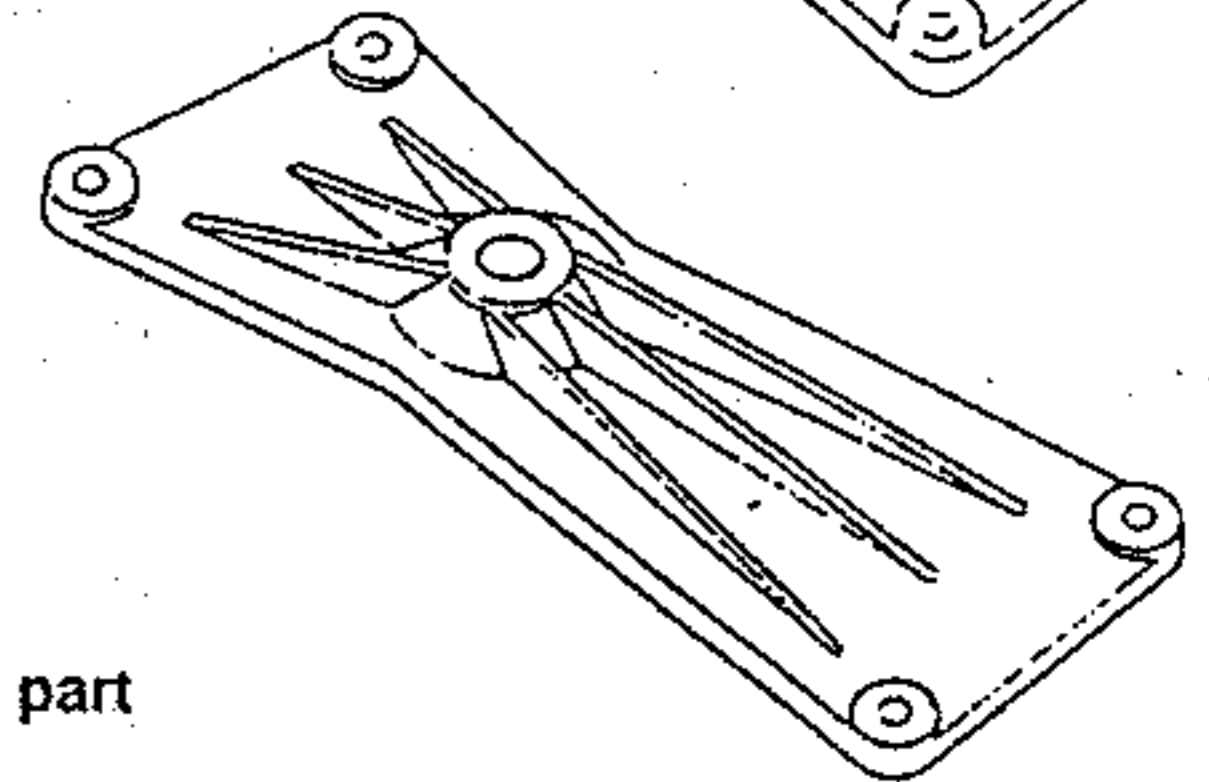
new solution



Reason:

To avoid the disengagement of the gearshift fork (first and reverse gear) during servicing of gearbox.

pre-modification part



REPLACED PARTS			NEW PARTS		
ref. fig.	Part Number	Description	ref. fig.	Part Number	Description

Spare parts procedures: The modified support retains the same part number as the previous support ie. P.N.114864

Reference spare parts catalogue:

