

SERVICE BULLETIN No

17-4

**PRODUCTION CHANGE**

DATE: 6/15/88

**SUBJECT: SEALING OF WATER RADIATOR SEAT  
VEHICLES: 328 GTB / GTS AND TURBO**

Starting from:	Model	328	Turbo				
	Area	All	Italy				
	Chassis no.	68731	68739				
	Engine no.						
	Gearbox no.						

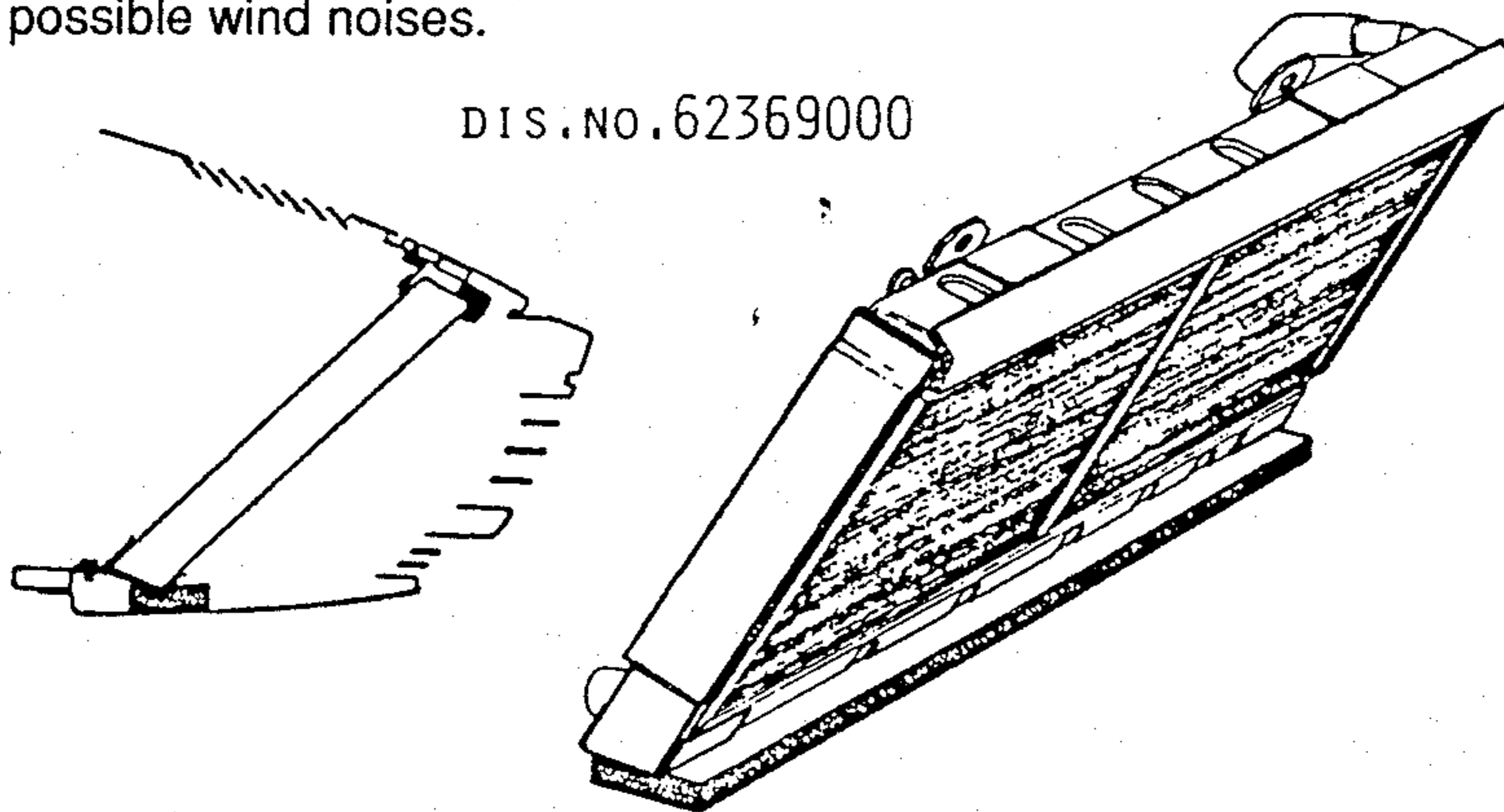
**Description:**

An additional gasket has been introduced on the upper edge of the water radiator as shown in the drawing.

NOTE: Previously, other gaskets in the lower position and in the lateral edges of the radiator were introduced. For details regarding those gaskets, please refer to 328 GTB / GTS Parts Catalogue (Cat. 462/87) dated March 1987.

**Reason:**

Eliminate possible wind noises.



**Spare parts procedures:**

Please verify the availability in your stock of above gasket.

**Reference spare parts catalogue:**

328 GTB / GTS Cat. 462/87 March 1987 Tav. 21

