

SERVICE BULLETIN No

14-9

PRODUCTION CHANGE

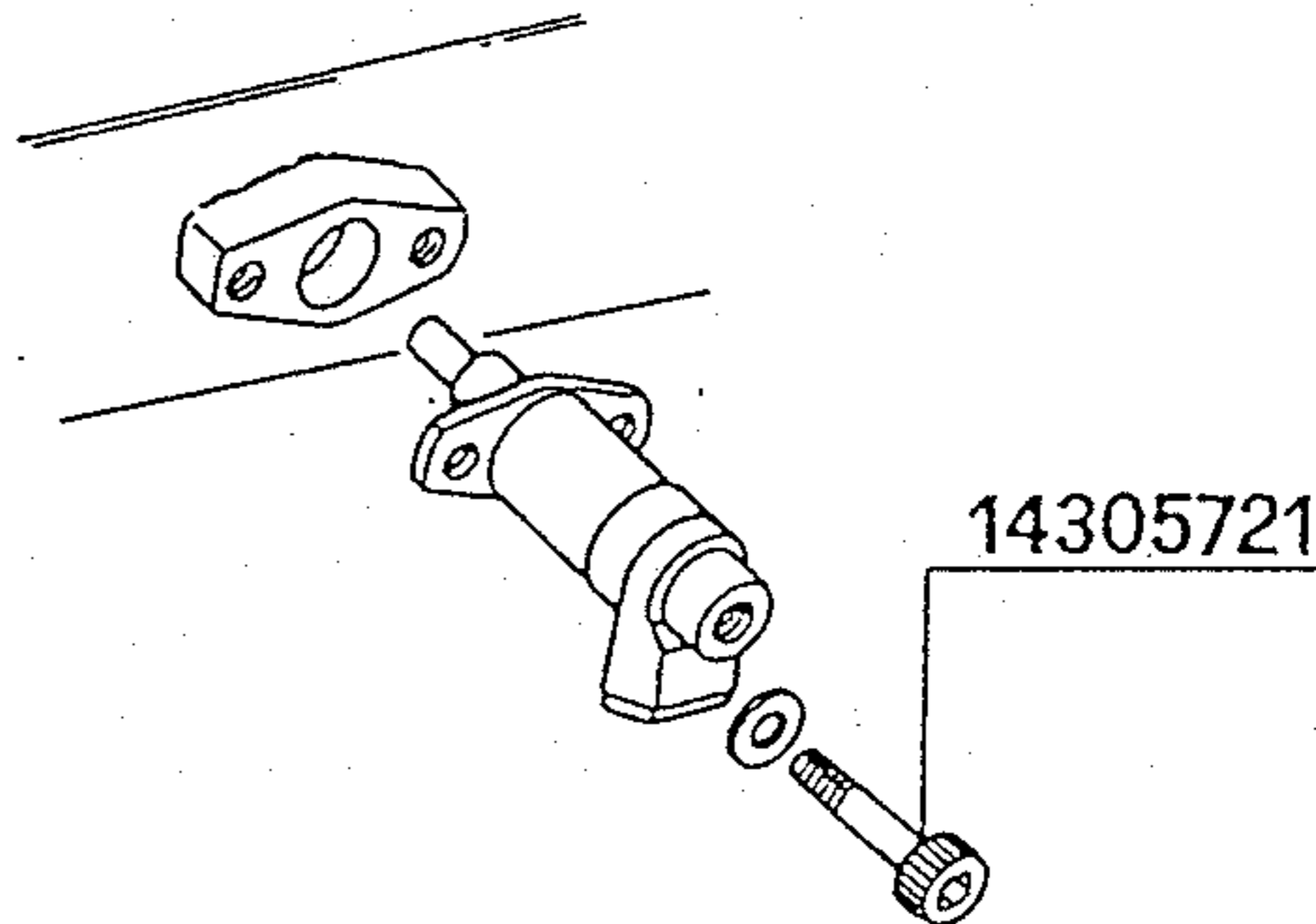
DATE: 10/5/88

**SUBJECT: FASTENING OF COLD START INJECTOR
VEHICLES: EIGHT - CYLINDER AND TESTAROSSA**

Starting from:	Model	328	Mondial	Cab.	TR		
	Area	All	All	All	All		
	Chassis no.	76347	76331	76453	76199		
	Engine no.						
	Gearbox no.						

Description:

The manner of fastening the cold start injector is no longer accomplished by the use of studs, but rather with socket head cap screws.



Reason:

Production change.

REPLACED PARTS			NEW PARTS		
ref. fig.	Part Number	Description	ref. fig.	Part Number	Description
	13541621	Stud - 8 Cyl.		14305721	Socket Head Cap Screw
	13541521	Stud - Testarossa			
	12574211	Nut			

Spare parts procedures:

Reference spare parts catalogue:

