

## Service Bulletin

**SB 10-4**  
**7-9-81**



SUBJECT: REPLACEMENT ENGINE CYLINDER HEAD GASKETS  
VEHICLES: ALL MODELS

**PARTS**

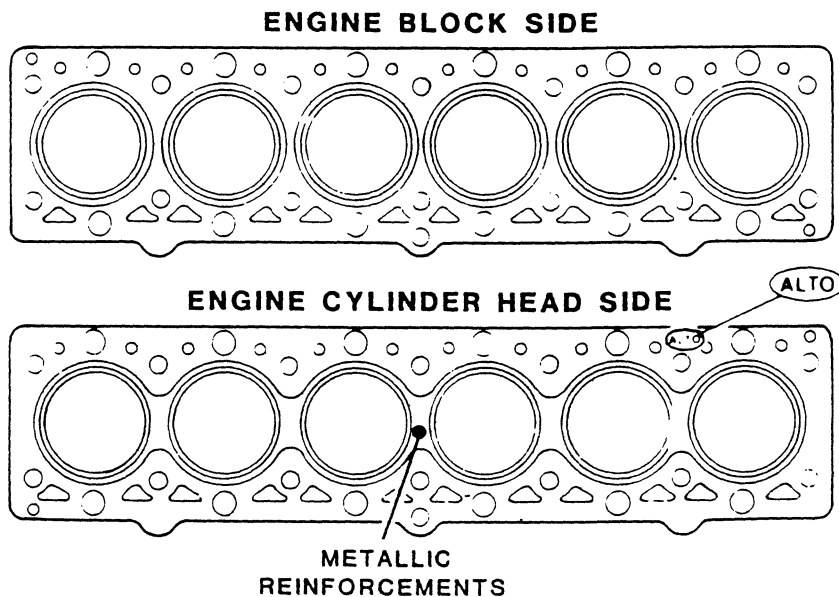
**INFORMATION:** All replacement engine cylinder head gaskets presently in your parts inventory must be inspected for a possible manufacturing defect.

Upon inspection, correctly manufactured gaskets can be identified as follows:

- The metallic reinforcements between the cylinder liners must be located on the cylinder head side of the gasket, identified by the word "ALTO" stamped in the gasket. See example below.

If gaskets are not manufactured as described above, they must be removed from your inventory immediately and returned to Ferrari North America for full credit, using an FNA AFA parts return form.

### EXAMPLE OF A CORRECT HEAD GASKET



READ, INITIAL and PASS ON

SERVICE MANAGER	PARTS MANAGER	SERVICE WRITER	TECHNICAN