

SERVICE BULLETIN No 10-24

PRODUCTION CHANGE

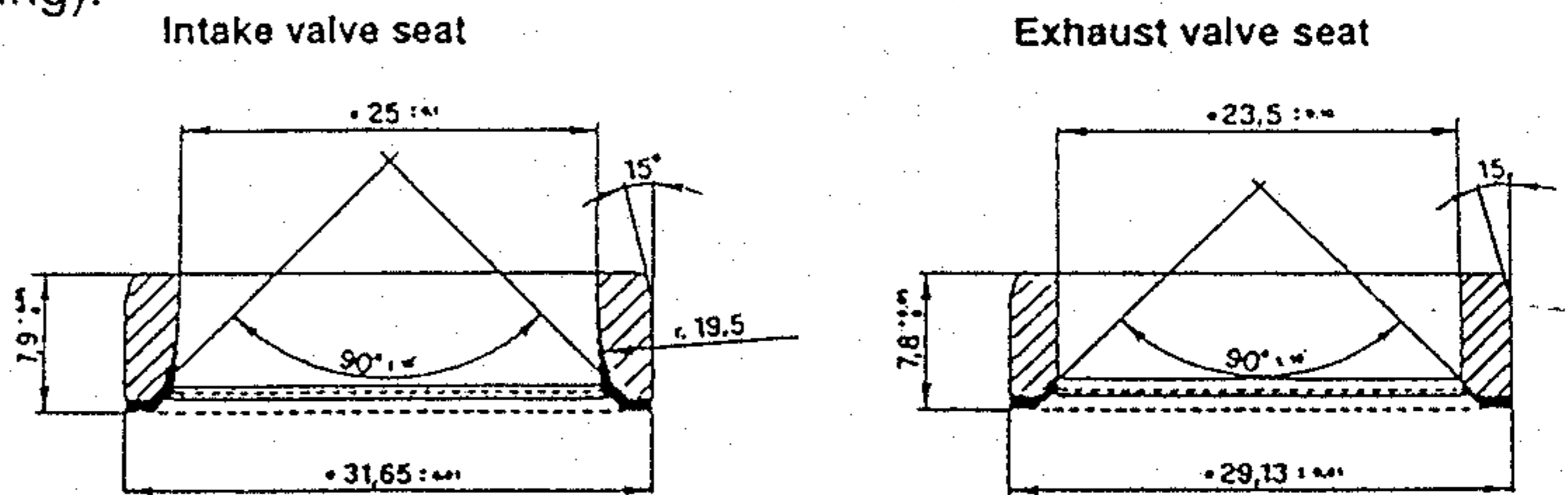
DATE: 12/15/88

SUBJECT: VALVE SEATS
VEHICLES: 3.2 MONDIAL - 328

Starting from:	Model	Mondial	328			
	Area					
	Chassis no.	76558	76666			
	Engine no.					
	Gearbox no.					

Description:

Starting from the above chassis numbers cylindrical instead of conical valve seats have been installed (see drawing).



REPLACED PARTS			NEW PARTS		
ref. fig.	Part Number	Description	ref. fig.	Part Number	Description

Spare parts procedures:

Reference spare parts catalogue:

