

SERVICE BULLETIN No **10-15**DATE: 11/24/86**SUBJECT: Camshaft Extension for Ignition Rotor****VEHICLES: 8 and 12 Cylinder Cars****Preliminary:**

We wish to inform you that for the chassis number ranges indicated below, a camshaft extension incorporating a rubber torsional dampner for the ignition rotor arm was utilized.

Model	Version	From C.N.	To C.N.
328 GTB/S	North American	60053	65731
3.2 Mondial	" "	59645	65731
Testarossa	" "	60177	66071

In case you should experience an oil leak from the above "rubber type camshaft extension", we have introduced a "solid type camshaft extension" to be used as replacement.

Spare Parts

Ref.	Description	Part No.	Notes
A	Pin	132355	The old pin P.N. 129120 can be used until exhaustion of present stock
B	Camshaft Extension	1126166 8126166 6126166 7126166	1/4 Cylinder Bank - 8 Cyl. 5/8 Cylinder Bank - 8 Cyl. 1/6 Cylinder Bank - TR 7/12 Cylinder Bank - TR
C	Ignition Rotor	126139	Hazelbrown Color



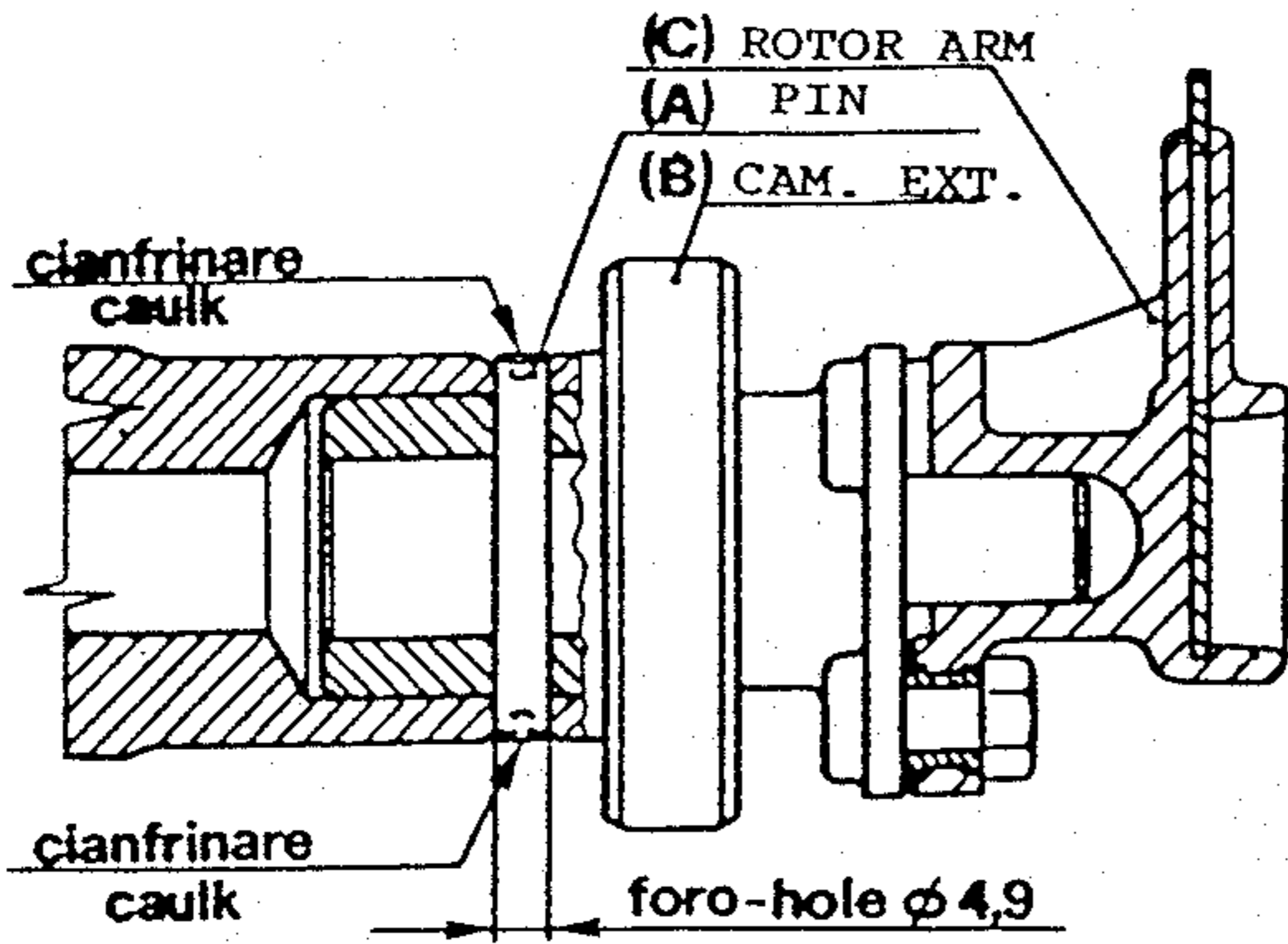


Fig.1

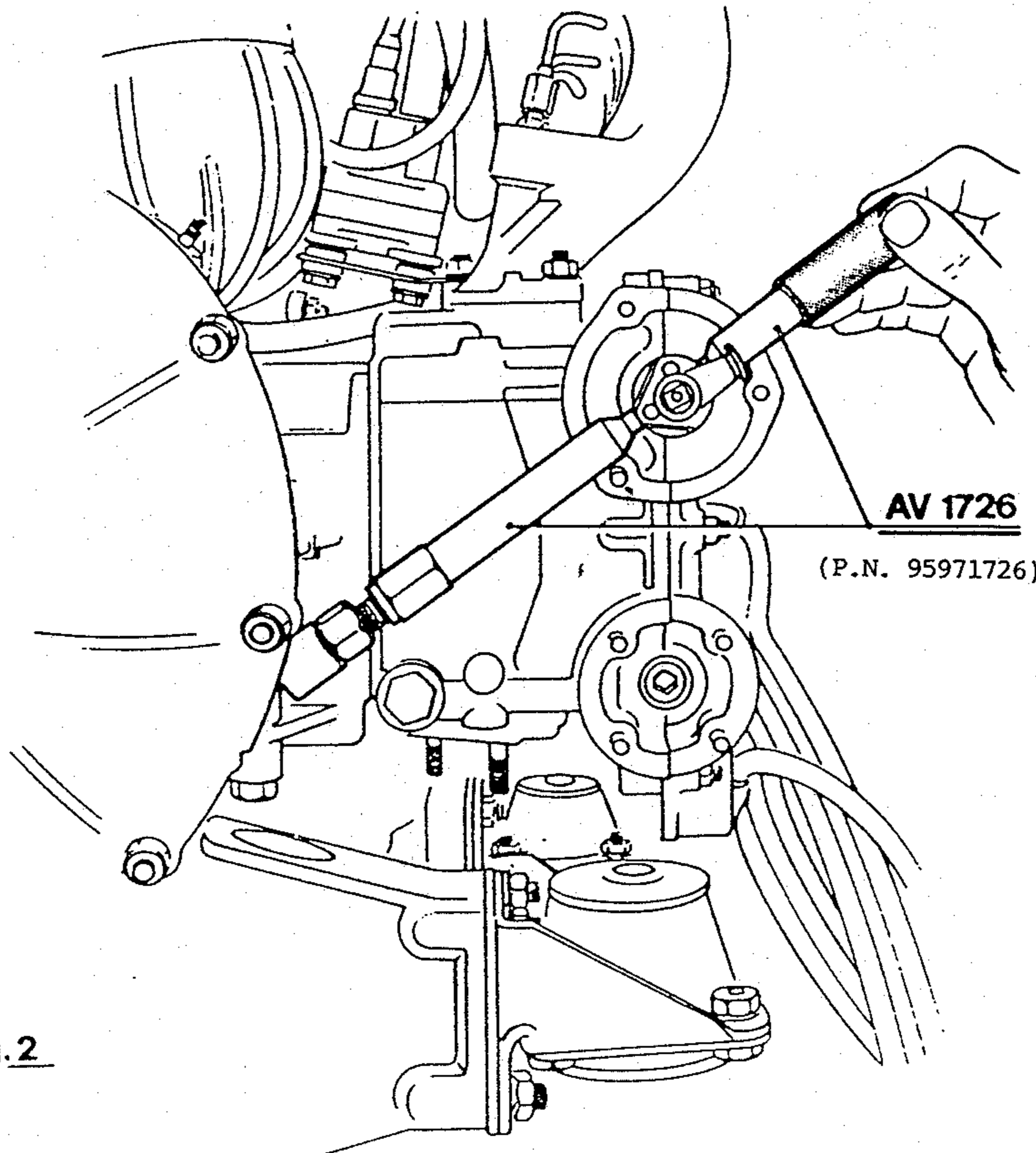


Fig.2



REPLACEMENT PROCEDURE

This operation shall be performed only in case of damage or oil leak on the existing extension.

- Remove the ignition distributor cap and its supporting flange with oil sealing ring.
- With a cylindrical punch (3mm dia.) remove the old fixing pin.
- With self-adhesive tape, protect the cylinder head and cover, then, with two levers, pull out the old extension.
- Carefully clean and re-insert the new extension.
- With an aluminum punch, push down the pin, then hold it in position with the special tool AV 1726 and caulk one side with the special punch (Fig. 2). Rotate for 180° the camshaft and repeat the prior operation in order to caulk also the other side of the pin.
- By gently hitting with a punch and hammer, check that the pin is firmly locked.

WARRANTY PROCEDURE

For this updating, when performed under the Ferrari Limited Warranty, please issue a Warranty Claim utilizing the applicable codes and repair times as indicated below:

Vehicle Type	Comp. Code	Prob. Code	Oper No.	Time
328 GTB/S	04.81.38	01	04.81.38.0	2.0
Mondial 3.2 Cabriolet	09.81.38	01	09.81.38.0	2.0
Testarossa	10.81.38	01	10.81.38.0	1.0

