



Service Bulletin

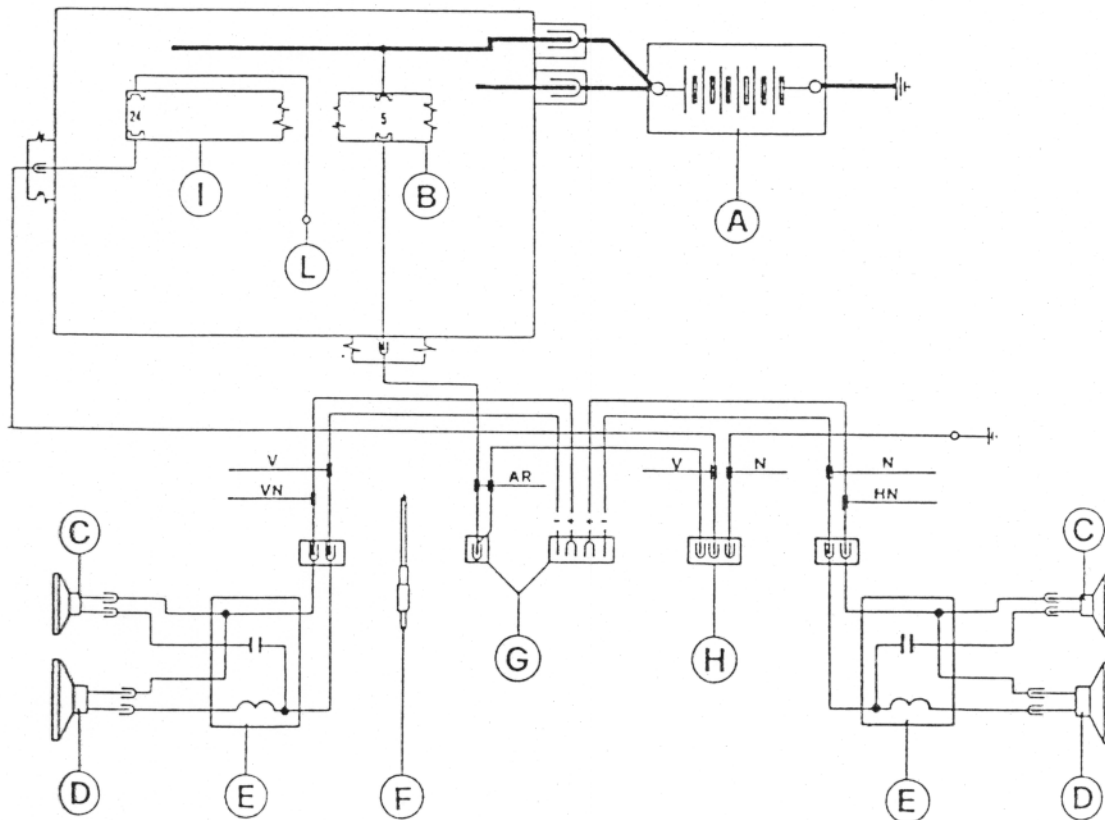
SB 00-29
12/15/88

SUBJECT: RADIO INSTALLATION
VEHICLES: TESTAROSSA

Starting from vehicles with chassis number:
78692 left hand drive
78535 right hand drive

the radio will no longer be installed in European version, and all vehicles will be fitted with the harness and the components as indicated in the following schematic.

In the passenger foot rest, it is possible to install the Blaupunkt amplifier nr. 62515600, in any case to install a radio with at least 60 watts power, because of woofers' and tweeters' characteristics, that are fitted at the Factory.



Connections to assemble radio/amplifier

- A - Battery
- B - Right hand fuse box
- C - Tweeter
- D - Woofer
- E - Crossover filter
- F - Antenna lead
- G - Connections to the amplifier (under passenger foot rest)
- H - Connections to the radio (radio space behind glove box)
- I - Left hand fuse box
- L - To the ignition relay

Harness colour

- V - Green
- VN - Green with black stripe
- N - Black
- HN - Gray with black stripe
- AR - Sky blue with red stripe