



Service Bulletin

SB 00-11

8-5-82

This letter supersedes Service Bulletin
No. 00-8 Dated 7/9/81

SUBJECT: WHEEL ALIGNMENT SPECIFICATIONS
VEHICLES: All Models

GENERAL

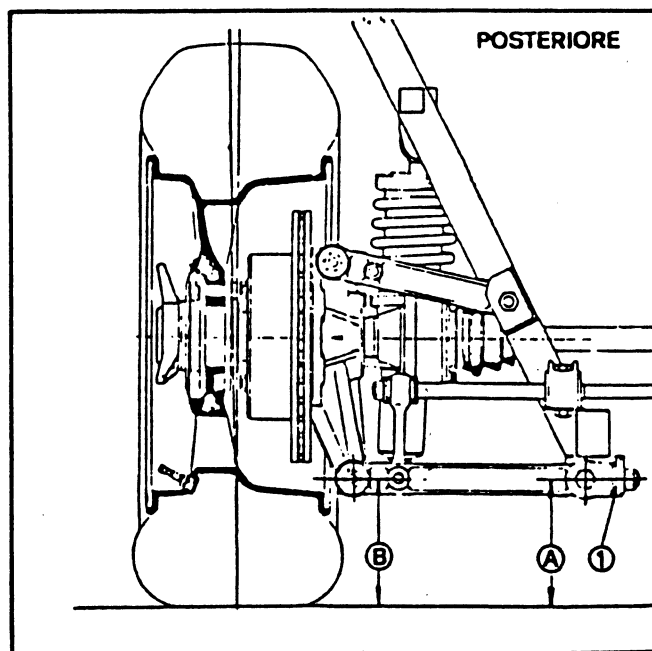
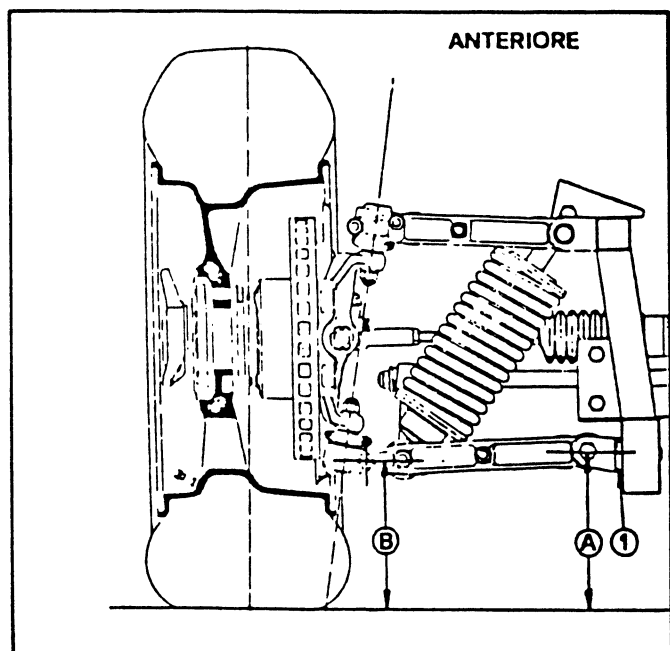
INFORMATION: Attached are two charts specifying the wheel alignment specifications for:

- 1976-81 USA version models
- All other models (Both early USA and non USA models)

IMPORTANT:

All specified dimensions are to be made with a laden vehicle
(2 passengers, full fuel tank, spare wheel and tool kit).

All values must be within tolerances and the same for both the right and left
side wheels.



WHEEL ALIGNMENT SPECIFICATIONS*

MODEL	TIRE TYPE	FRONT**			TIRE PRESS	REAR**		TIRE PRESS
		CAMBER	TOE IN (MM)	CASTER		CAMBER	TOE IN (MM)	
208 GTB	Michelin XWX Tubeless 205/70 VR 14	-0°30' to -0°10'	+(1.5 to 2.5)	4°	33 psi	-1°05' to -1°25'	+(3.0 to 4.0)	35 psi
	Pirelli P7 Tubeless FRT-205/55VR16 REAR-225/50VR16	-0°40' to -0°20'	+(2.5 to 3.5)	4°	33 psi	-1°05' to -1°25'	+(3.0 to 4.0)	33 psi *** 36 psi
208 GTS	Michelin TRX Tubeless 220/55VR390	-0°10' to +0°10'	+(0.2 to 1.2)	4°	33 psi	-1°05' to -1°25'	+(3.0 to 4.0)	33 psi
	Michelin XWX Tubeless 205/70VR14	-0°05' to +0°25'	+(2.0 to 3.0)	4°	31 psi	-1°05' to -1°25'	+(3.5 to 4.5)	35 psi
400 AUT 400 GT	Pirelli P7 Tubeless FRT-205/55VR16 REAR-225/50VR16	-0°20' to -0°40'	+(2.5 to 3.5)	4°	33 psi	-1°05' to -1°25'	+(3.5 to 4.5)	33 psi *** 36 psi
	Michelin TRX Tubeless 220/55VR390	-0°10' to +0°10'	+(0.2 to 1.2)	4°	33 psi	-1°05' to -1°25'	+(4.0 to 5.0)	33 psi
512BB	Michelin Tubeless 215/70VR15	+0°10' to +0°30'	+(1.5 to 2.5)	3°	33 psi *** 46 psi	-1°20' to -1°40'	+(1.5 to 2.5)	33 psi *** 51 psi
	Michelin TRX 240/55VR415	+0°10' to +0°30'	+(2.0 to 3.0)	3°	36 psi	-1°20' to -1°40'	+(2.0 to 3.0)	36 psi
	Michelin XWX Tubeless FRT-215/70VR15 REAR-225/70VR15	+0°00' to +0°20'	+(1.0 to 3.0)	3°	31 psi **** 40 psi	-1°40' to -1°00'	+(5.0 to 6.5)	37 psi **** 40 psi

* All specifications refer to a laden vehicle = 2 persons, full fuel tank, spare wheel and tool kit.

** Specified toe-in is to be considered a total toe-in, sum of right and left wheels

*** Specified for speeds above 125 MPH (200 Km/h)

**** Specified for speeds above 155 MPH (250 Km/h)

WHEEL ALIGNMENT SPECIFICATIONS*

MODEL	TIRE TYPE	FRONT**			TIRE PRESS	REAR**		TIRE PRESS
		CAMBER	TOE IN (MM)	CASTER		CAMBER	TOE IN (MM)	
308 GTB	Michelin XWX 205/70 VR 14	+0°00' to +0°20'	+(1.0 to 3.0)	4°	27 psi	-1°20' to -1°40'	+(2.0 to 3.0)	34 psi
	From Chassis No. 26953*** Michelin XWX Tubeless 205/70 VR 14	-0°30' to -0°10'	+(1.5 to 2.5)	4°	27 psi	-1°05' to -1°25'	+(3.0 to 4.0)	34 psi
(308 GTBi)	Starting with 1980 Models Michelin TRX Tubeless 220/55 VR 390	-0°10' to +0°10'	+(0.2 to 1.2)	4°	33 psi	-1°05' to -1°25'	+(3.0 to 4.0)	33 psi
	Michelin XWX Tubeless	+0°50' to +0°25'	+(2.0 to 3.0)	4°	30 psi	-1°05' to -1°25'	+(3.5 to 4.5)	34 psi
308 GTS	Starting with 1980 Models Michelin TRX Tubeless 220/50 VR 390	-0°10' to +0°10'	+(0.2 to 1.2)	4°	33 psi	-1°05' to -1°25'	+(4.0 to 5.0)	33 psi
	Michelin 207/70 VR 14X 205/70VR14 XWX	+0°10' to +0°30'	+(1.0 to 3.0)	4°	30 psi **** 31 psi	-1°20' to -1°40'	+(2.0 to 4.0)	34 psi **** 37 psi
Mondial 8	Michelin TRX Tubeless 240/55 VR 390	+0°10' to -0°10'	+(2.0 to 3.0)	5°30'	33 psi	-1°20' to -1°40'	+(3.0 to 4.0)	34 psi

* All specifications refer to a laden vehicle + 2 persons, full fuel tank, spare wheel and tool kit.

** Specified toe-in is to be considered a total toe-in, sum of right and left wheels.

*** Starting with chassis No. 26953, front and rear springs and shock absorbers were changed.

**** Specified for speeds above 125 MPH (200 Km/h).

WHEEL ALIGNMENT SPECIFICATIONS*

MODEL	TIRE TYPE	FRONT**			TIRE PRESS	REAR**		TIRE PRESS
		CAMBER	TOE IN (MM)	CASTER		CAMBER	TOE IN (MM)	
308 GT4	Pirelli P7 Tubeless Frt-205/55VR16 Rear-225/50-VR16	-0°20' to -0°40'	+(2.0 to 3.0)	4°	33 psi *** 36 psi	-0°20' to -0°40'	+(3.5 to 4.5)	33 psi *** 41 psi
208 GT4	Michelin Tubeless 195/70VR14XDX	+0°10' to +0°30'	+(1.0 to 3.0)	4°	23 psi	-1°20' to -1°40'	+(2.0 to 4.0)	29 psi
365 GT4/BB	Michelin 215/70VR15X or 215/70VR15XWX	+0°30' to +0°50'	+(1.0 to 3.0)	4°	32 psi *** 38 psi	-1°30' to -1°50'	+(2.0 to 4.0)	35 psi *** 44 psi
365 GT4/2+2	Michelin 215/70VR15X or 215/70VR15XWX	+0°40' to +1°00'	+(2.0 to 3.0)	3°	29 psi *** 41 psi	-1°20' to -1°40'	0	31 psi *** 48 psi
365 GTC/4	Michelin 215/70VR15X or 215/70VR15XWX	+0°40' to +1°00'	**+(2.0 to 3.0)		29 psi *** 35 psi	-1°20' to -1°40'	0	31 psi 0 39 psi
365 GTB/4	Michelin XWX 215/70VR15	+0°50' to +1°10'	+(2.0 to 3.0)	1°30'	32 psi *** 35 psi	-2°15' to -2°30'	+(2.0 to 3.0)	33 psi *** 39 psi
365 GTC/S	Michelin 205VR14X 205VR14XWX	+0°00' to +0°20'	+(4.0 to 5.0)	2°18'15"	28 psi hi-speed 31 psi	-1°40' to -2°00'	+(4.5 to 5.5)	33 psi hi-speed 38 psi
Dino 206GT Dino 246GT	Michelin 205/70VR14X or 205/70VR14XWX	+0°15' to +0°30'	+(0.0 to 3.0)	3°40' to 4°	31 psi	-1°15' to -1°30'	+(0.0 to 3.0)	33 psi

*All specifications refer to a laden vehicle = 2 persons, full fuel tank, spare wheel, tool kit.

** Specified toe-in is to be considered a total toe-in, sum of right and left wheels.

*** Specified for speeds above 125 MPH (200Km/h)

**** Specified for speeds above 155 MPH (250Km/h)

WHEEL ALIGNMENT SPECIFICATIONS*

MODEL	TIRE TYPE	FRONT**			TIRE PRESS	REAR**		TIRE PRESS
		CAMBER	TOE IN (MM)	CASTER		CAMBER	TOE IN (MM)	
365 GT/2 + 2	Michelin 215/70VR15X or 215/70VR15XWX	+0°30' to +1°00'	+(0.0 to 3.0)	2°30'	28 psi hi-speed 35 psi	-1°50' to -1°35'	0	28 psi hi-speed 31 psi
330 GTC/S	Michelin 205VR14X or 205VR14XWX	+0°00' to +0°20'	+(4.0 to 5.0)	2°18'15"	28 psi hi-speed 31 psi	-0°50' to -1°15'	+(4.5 to 5.5)	33 psi hi-speed 38 psi
275GTB/S 275GTB/4	Pirelli 210 X 14 HS	+0°00' to +0°20'	+(4.0 to 5.0)	2°30"	28 psi hi-speed 35 psi	-0°50' to -1°15'	+(4.0 to 6.0)	31 psi hi-speed 38 psi
California 250GTE/2 + 2 330GT/2 + 2	Michelin 205 X 15 205/70VR15XWX	+0°50' to +1°25'	+(0.0 to 2.0)	2°30'	26 psi hi-speed 35 psi	0°	0	33 psi hi-speed 38 psi
Berlinetta Lusso 250	Pirelli 185X15 Cinturato	+0°50' to +1°15'	+(0.0 to 3.0)	2°30'	25 psi hi-speed 29 psi	0°	c	35 psi hi-speed 41 psi

* All specifications refer to a laden vehicle = 2 persons, full fuel tank, spare wheel, tool kit.

** Specified toe-in is to be considered a total toe-in, sum of right and left wheels.

*** Specified for speeds above 125 MPH (200 Km/h)

**** Specified for speeds above 155 MPH (250 Km/h)